

Sustainability declaration

Libra



MATERIAL CONTENT

Wood	13 kg	57 %
Steel	4,3 kg	19 %
Foam	3,8 kg	16,6 %
Fabric	1,6 kg	7 %
Plastic	0,1 kg	0,4 %
Total	22,8 kg	100 %

Disclaimer: Material content is based on Libra LIB3 with wool fabric.

RECYCLED MATERIAL

Post-consumer recycled content	0,9 kg	4 %
Pre-consumer recycled content	0 kg	0 %
Total recycled content	0,9 kg	4 %

Disclaimer: The recycled content is based on Libra LIB3 with wool fabric.. Numbers may vary based on model and options selected.

RECYCLABILITY

Material recycling	19 %
Energy recovery	81 %
Total recyclability	100 %

TOTAL CO₂



FULFILLED TECHNICAL STANDARDS

- EN 16139 Strength, durability and safety, for personnel weight of 110 kg.

FULFILLED FIRE REQUIREMENTS

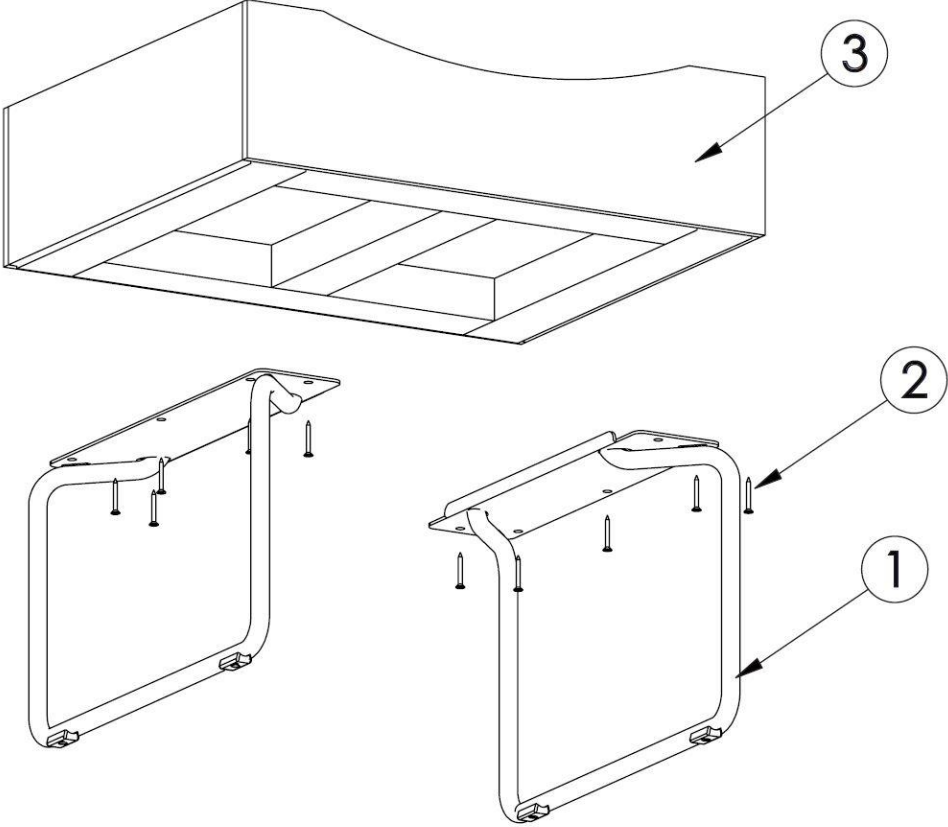
- EN 1021-1 Assessment of the ignitability of upholstered furniture – part 1: Ignition source smouldering cigarette, with Kinnarps standard fabrics
- EN 1021-2 Assessment of the ignitability of upholstered furniture – part 2: Ignition source match flame equivalent, with Kinnarps standard fabrics

CHEMICAL DATA

The product does not contain:

Substances on REACH candidate list of SVHC's above 0,1 % w/w
Substances on Living Building Challenge Red List
Asbestos
Heavy metals
Phthalates
Brominated or halogenated flame retardants
PVC
Hexavalent chromium
Biocides

RECYCLING



ID	Material	Tools for disassembly	Waste fraction
1	Steel	Screwdriver	Metal
2	Steel	Screwdriver	Metal
3	Wood, Foam, Fabric	Steel, knife/scissors	Combustable waste
4	Plastic PA6 30GF	Screwdriver	Plastic

*Always consider reusing or repurposing this product before recycling its components.

LEED CONTRIBUTION

The product can contribute to the earning of points within the following credits.

LEED V 4

Interior Design and Construction

MR Credit: Interiors life-cycle impact reduction	Kinnarps offers services for recycling, refreshing or reusing products. Share of recyclable material in the product: 19 %
MR Credit: building product disclosure and optimization – sourcing of raw materials	Recycled content: Post-consumer 4 %, Pre-consumer 0 % Manufactured in Kinnarp, Sweden

Building Design and Construction

MR Credit: building product disclosure and optimization – sourcing of raw materials	Recycled content: Post-consumer 4 %, Pre-consumer 0 % Manufactured in Kinnarp, Sweden
MR Credit: furniture and medical furnishings (healthcare)	The product contains no or less than 100ppm hexavalent chromium, heavy metals, PFCs or PFOA, or added anti-microbial treatments. Recycled content: Post-consumer 4 %, Pre-consumer 0 %

Building Operations and Maintenance

MR Credit: purchasing— facility maintenance and renovation	The product does not contain any substances on REACH Authorization or Candidate list.
--	---

WELL 2 CONTRIBUTION

The product can contribute to preconditions or the earning of points within the following features.

Optimizations

<p>X05 Enhanced Material Restrictions</p>	<p>The product is free from halogenated flame retardants, per- and polyfluoroalkyl substances (PFAS), lead, cadmium and mercury.</p>
---	--

PACKAGING AND TRANSPORT

The product is shipped with blankets and cardboard sheets as packaging material that is returned to the factories after delivery and reused. This method saves 270 kg of packaging material per container and enables 50% more products to be transported in each truck. Kinnarps' trucks have a load efficiency of approximately 87% and are run on diesel with renewable content that reduces CO₂ emissions.

MATERIALS

- **Fabrics:** All of Kinnarps' standard fabrics are free from flame retardants and azo dyes. Kinnarps can also offer multiple fabrics labelled with or fulfilling the requirements of EU Ecolabel and/or Oeko-Tex.
- **Wood:** We use FSC® and PEFC-certified wood material in the production of our products. The origin and legality of all wood material is controlled and assessed in accordance with Kinnarps Timber Trading Policy. All wood boards fulfil high requirements regarding formaldehyde in accordance with TSCA Title VI or half E1.
- **Metal finishing:** Kinnarps use powder coating for surface treatment of metal which gives very low emissions of volatile organic compounds (VOC). For chrome executions, only trivalent chrome is used.
- **Wood finishing:** Kinnarps treats the surface of veneered tables and storage with water based UV-lacquer which ensures very low application quantities of volatile organic compounds (VOC).
- **Plastic:** Plastic components that are used in products produced by Kinnarps are free from PVC and flame retardants, with the exception of some plastic parts of electrical components. The plastic is also free from PFOS, Bisphenol A and phthalates. Plastic components over 100 g are labelled according to ISO 11469.
- **Padding:** The padding in our task chairs is manufactured in Kinnarps' factory in Skillingaryd, Sweden, which enables us to have control over the whole process and ensure a safe production. The padding used in other products is certified with Oeko-Tex. All padding used in Kinnarps' products are free from flame-retardants and azo dyes.
- **Electronics:** Electronic components are CE-labelled and comply with the EU RoHS directive. This prohibits the use of lead, mercury, cadmium and hexavalent chromium, as well as the flame-retardants PDD and PBDE, in electronic products. Conflict minerals are not allowed in the components.
- **Separability:** Separability is taken into consideration in the product development process to facilitate the recycling of material when the products can no longer be used. Different types of material are not cast together in a way that makes it hard to recycle. Products are designed with replaceable parts that are easy to change.

CARE AND MAINTENANCE RECOMMENDATIONS

<https://www.kinnarps.com/care-recommendations/>

COMPANY CERTIFICATIONS

- ISO 9001
- ISO 14001
- ISO 45001
- FSC® Chain of Custody

Verified date: 2024-05-06