

Sustainability declaration

Claro



drabert

QUALITY AND ENVIRONMENTAL LABELLING



MATERIAL CONTENT

Steel	5,8 kg	41 %
Plastic	4 kg	28 %
Fabric	3 kg	22 %
Foam	1 kg	6 %
Aluminium	0,5 kg	3 %
Total	14,3 kg	100 %

Disclaimer: Material content is based on Claro D-1053-DG with mesh back, plastic starbase and wool fabric.

RECYCLED MATERIAL

Post-consumer recycled content	1,24 kg	9 %
Pre-consumer recycled content	0 kg	0 %
Total recycled content	1,24 kg	9 %

Disclaimer: The recycled content is based on Claro D-1053-DG with mesh back, plastic starbase and wool fabric. Numbers may vary based on model and options selected.

RECYCLABILITY

Material recycling	94 %
Energy recovery	6 %
Total recyclability	100 %

TOTAL CO₂



FULFILLED TECHNICAL STANDARDS

- EN 1335-1 Dimensions
- EN 1335-2 Safety requirements
- EN 1335-3 Safety test methods, tested against 110 kg personnel weight

FULFILLED FIRE REQUIREMENTS

- EN 1021-1 Assessment of the ignitability of upholstered furniture – part 1: Ignition source smouldering cigarette, with Kinnarps standard fabrics
- EN 1021-2 Assessment of the ignitability of upholstered furniture – part 2: Ignition source match flame equivalent, with Kinnarps standard fabrics

ADDITIONAL INFORMATION

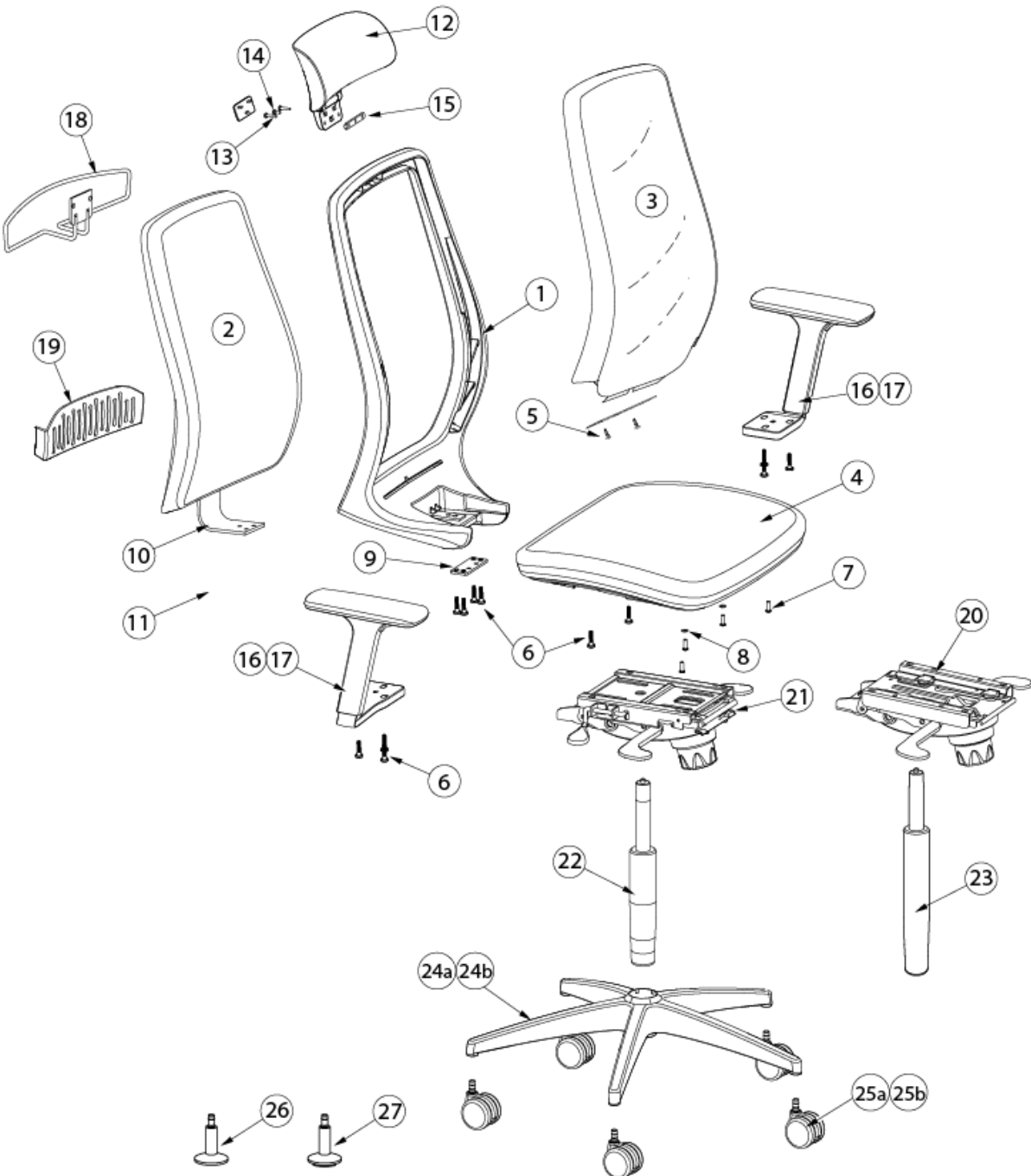
- This product has an EPD according to EN15804+A1:2013, NPCR 026:2018 Part B for furniture

CHEMICAL DATA

The product does not contain:

Substances on REACH candidate list of SVHC's above 0,1 % w/w
Substances on Living Building Challenge Red List
Asbestos
Heavy metals
Phthalates
Brominated or halogenated flame retardants
PVC
Hexavalent chromium
Biocides

RECYCLING



See specified recycling list on the next page.

ID	Material	Tools for disassembly	Waste fraction
1	Plastic PA, Fabric	Screwdriver	Combustible waste
2	Fabric, Foam, Plastic PA	Screwdriver	Combustible waste
3	Fabric, Plastic POM	Screwdriver	Combustible waste
4	Foam, Fabric, Plastic PA, Steel	Screwdriver	Combustible waste
5, 6, 7, 8, 11, 13, 14	Steel	Screwdriver	Metal
9	Steel	Screwdriver	Metal
10	Steel, Plastic PA	Screwdriver	Metal
12	PP/PU/POM	Screwdriver	Combustible waste
15	Steel	Screwdriver	Metal
16, 17	Plastic PA	Screwdriver	Plastics
18	Steel	Screwdriver	Metal
19	Plastic PPCO	Screwdriver	Plastics
20, 21	Steel/Aluminum/Plastic PP	Screwdriver	Metal
22, 23	Steel	Hammer	Metal
24	Plastic PA	Hammer/Manual force	Plastics
25a, b	Plastic PP/PA/TPU, Zink	Manual force	Plastics
26, 27	Plastic PA	Manual force	Plastics

*Always consider reusing or repurposing this product before recycling its components.

LEED CONTRIBUTION

The product can contribute to the earning of points within the following credits.

LEED V 4

Interior Design and Construction

<p>MR Credit: Interiors life-cycle impact reduction</p>	<p>Kinnarps offers services for recycling, refreshing or reusing products.</p> <p>Share of recyclable material in the product: 50 %</p>
<p>MR Credit: building product disclosure and optimization – sourcing of raw materials</p>	<p>Recycled content: Post-consumer 9 %, Pre-consumer 0 %</p> <p>Manufactured in Kinnarp, Sweden</p>

Building Design and Construction

<p>MR Credit: building product disclosure and optimization – sourcing of raw materials</p>	<p>Recycled content: Post-consumer 9 %, Pre-consumer 0 %</p> <p>Manufactured in Kinnarp, Sweden</p>
<p>MR Credit: furniture and medical furnishings (healthcare)</p>	<p>The product contains no or less than 100ppm hexavalent chromium, heavy metals, PFCs or PFOA, or added anti-microbial treatments.</p> <p>Recycled content: Post-consumer 9 %, Pre-consumer 0 %</p>

Building Operations and Maintenance

<p>MR Credit: purchasing— facility maintenance and renovation</p>	<p>The product does not contain any substances on REACH Authorization or Candidate list.</p>
---	--

WELL 2 CONTRIBUTION

The product can contribute to preconditions or the earning of points within the following features.

Preconditions

V02 Ergonomic Workstation Design	Part 3: The chair is adjustable in accordance with this feature. Part 5: Instructions on how to make adjustments to achieve the intended benefits of the product are provided through user manuals.
----------------------------------	--

Optimizations

X05 Enhanced Material Restrictions	The product is free from halogenated flame retardants, per- and polyfluoroalkyl substances (PFAS), lead, cadmium and mercury.
------------------------------------	---

PACKAGING AND TRANSPORT

The product is shipped with blankets and cardboard sheets as packaging material that is returned to the factories after delivery and reused. This method saves 270 kg of packaging material per container and enables 50% more products to be transported in each truck. Kinnarps' trucks have a load efficiency of approximately 87% and are run on diesel with renewable content that reduces CO₂ emissions.

MATERIALS

- **Fabrics:** All of Kinnarps' standard fabrics are free from flame retardants and azo dyes. Kinnarps can also offer multiple fabrics labelled with or fulfilling the requirements of EU Ecolabel and/or Oeko-Tex.
- **Wood:** We use FSC® and PEFC-certified wood material in the production of our products. The origin and legality of all wood material is controlled and assessed in accordance with Kinnarps Timber Trading Policy. All wood boards fulfil high requirements regarding formaldehyde in accordance with TSCA Title VI or half E1.
- **Metal finishing:** Kinnarps use powder coating for surface treatment of metal which gives very low emissions of volatile organic compounds (VOC). For chrome executions, only trivalent chrome is used.
- **Wood finishing:** Kinnarps treats the surface of veneered tables and storage with water based UV-lacquer which ensures very low application quantities of volatile organic compounds (VOC).
- **Plastic:** Plastic components that are used in products produced by Kinnarps are free from PVC and flame retardants, with the exception of some plastic parts of electrical components. The plastic is also free from PFOS, Bisphenol A and phthalates. Plastic components over 100 g are labelled according to ISO 11469.
- **Padding:** The padding in our task chairs is manufactured in Kinnarps' factory in Skillingaryd, Sweden, which enables us to have control over the whole process and ensure a safe production. The padding used in other products is certified with Oeko-Tex. All padding used in Kinnarps' products are free from flame-retardants and azo dyes.
- **Electronics:** Electronic components are CE-labelled and comply with the EU RoHS directive. This prohibits the use of lead, mercury, cadmium and hexavalent chromium, as well as the flame-retardants PDD and PBDE, in electronic products. Conflict minerals are not allowed in the components.
- **Separability:** Separability is taken into consideration in the product development process to facilitate the recycling of material when the products can no longer be used. Different types of material are not cast together in a way that makes it hard to recycle. Products are designed with replaceable parts that are easy to change.

CARE AND MAINTENANCE RECOMMENDATIONS

<https://www.kinnarps.com/care-recommendations/>

COMPANY CERTIFICATIONS

- ISO 9001
- ISO 14001
- ISO 45001
- FSC® Chain of Custody

Verified date: 2024-04-22