

Sustainability declaration

# Foldex



## QUALITY AND ENVIRONMENTAL LABELLING



FSC: Products in veneer as well as white and birch laminate are labelled.

## MATERIAL CONTENT

Wood	18,2 kg	56 %
Steel	13,6 kg	42 %
Plastic	0,6 kg	2 %
<b>Total</b>	<b>32,2 kg</b>	<b>100 %</b>

Disclaimer: Material content is based on Foldex FX168.

## RECYCLED MATERIAL

Post-consumer recycled content	6,4 kg	20 %
Pre-consumer recycled content	9,1 kg	28 %
<b>Total recycled content</b>	<b>15,5 kg</b>	<b>48 %</b>

Disclaimer: The recycled content is based on Foldex FX168.  
Numbers may vary based on model and options selected.

## RECYCLABILITY

Material recycling	44 %
Energy recovery	56 %
<b>Total recyclability</b>	<b>100 %</b>

## TOTAL CO<sub>2</sub>



## FULFILLED TECHNICAL STANDARDS

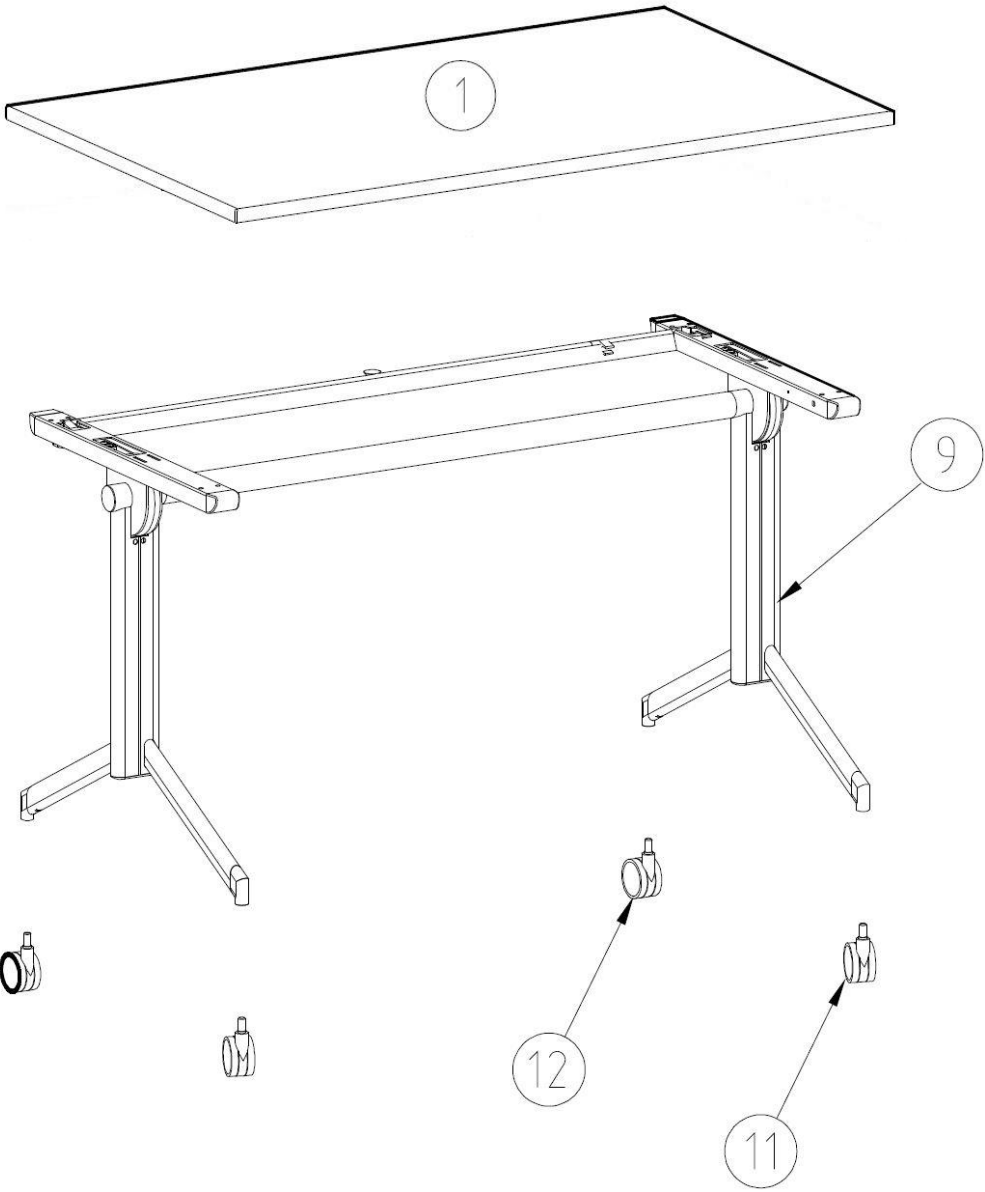
- EN 15372, Level 2, strength, durability and safety requirements for non-domestic environment
- EN 1729 Dimensions and safety requirements and test methods for educational environment
- EN12720:2009+A1:2013 Assessment of surface resistance to cold liquids
- SS 839122:2017 Assessment of resistance to spotting from fat on scratched surfaces
- SS 839117 Assessment of resistance to spotting from fat on scratched surface
- EN12722:2009+A1:2013 Assessment of surface resistance to dry heat

## CHEMICAL DATA

The product does not contain:

Substances on REACH candidate list of SVHC's above 0,1 % w/w
Substances on Living Building Challenge Red List
Asbestos
Heavy metals
Phthalates
Brominated or halogenated flame retardants
PVC
Hexavalent chromium
Biocides

# RECYCLING



ID	Material	Tools for disassembly	Waste fraction
1	Wood, ABS	Screwdriver	Combustible waste
9	Steel	Screwdriver	Metal
11, 12	PA, TPU	Pull with force	Plastic

\*Always consider reusing or repurposing this product before recycling its components.

# LEED CONTRIBUTION

The product can contribute to the earning of points within the following credits.

## LEED V 4

### Interior Design and Construction

<p>MR Credit: Interiors life-cycle impact reduction</p>	<p>Kinnarps offers services for recycling, refreshing or reusing products.</p> <p>Share of recyclable material in the product: 44 %</p>
<p>MR Credit: building product disclosure and optimization – sourcing of raw materials</p>	<p>The product is FSC labelled as standard with the exception of some executions</p> <p>Recycled content: Post-consumer 20 %, Pre-consumer 28 %</p> <p>Manufactured in Kinnarp, Sweden</p>

### Building Design and Construction

<p>MR Credit: building product disclosure and optimization – sourcing of raw materials</p>	<p>Recycled content: Post-consumer 20 %, Pre-consumer 28 %</p> <p>Manufactured in Kinnarp, Sweden</p>
<p>MR Credit: furniture and medical furnishings (healthcare)</p>	<p>The product contains no or less than 100ppm hexavalent chromium, heavy metals, PFCs or PFOA, or added anti-microbial treatments.</p> <p>Recycled content: Post-consumer 20 %, Pre-consumer 28 %</p>

### Building Operations and Maintenance

<p>MR Credit: purchasing – facility maintenance and renovation</p>	<p>The product is FSC labelled as standard with the exception of some executions.</p> <p>The product does not contain any substances on REACH Authorization or Candidate list.</p>
--	--

## WELL 2 CONTRIBUTION

The product can contribute to preconditions or the earning of points within the following features.

### Optimizations

X05 Enhanced Material Restrictions	The product is free from halogenated flame retardants, per- and polyfluoroalkyl substances (PFAS), lead, cadmium and mercury.
------------------------------------	---

## PACKAGING AND TRANSPORT

The product is shipped with blankets and cardboard sheets as packaging material that is returned to the factories after delivery and reused. This method saves 270 kg of packaging material per container and enables 50% more products to be transported in each truck. Kinnarps' trucks have a load efficiency of approximately 87% and are run on diesel with renewable content that reduces CO<sub>2</sub> emissions.

## MATERIALS

- **Fabrics:** All of Kinnarps' standard fabrics are free from flame retardants and azo dyes. Kinnarps can also offer multiple fabrics labelled with or fulfilling the requirements of EU Ecolabel and/or Oeko-Tex.
- **Wood:** We use FSC® and PEFC-certified wood material in the production of our products. The origin and legality of all wood material is controlled and assessed in accordance with Kinnarps Timber Trading Policy. All wood boards fulfil high requirements regarding formaldehyde in accordance with TSCA Title VI or half E1.
- **Metal finishing:** Kinnarps use powder coating for surface treatment of metal which gives very low emissions of volatile organic compounds (VOC). For chrome executions, only trivalent chrome is used.
- **Wood finishing:** Kinnarps treats the surface of veneered tables and storage with water based UV-lacquer which ensures very low application quantities of volatile organic compounds (VOC).
- **Plastic:** Plastic components that are used in products produced by Kinnarps are free from PVC and flame retardants, with the exception of some plastic parts of electrical components. The plastic is also free from PFOS, Bisphenol A and phthalates. Plastic components over 100 g are labelled according to ISO 11469.
- **Padding:** The padding in our task chairs is manufactured in Kinnarps' factory in Skillingaryd, Sweden, which enables us to have control over the whole process and ensure a safe production. The padding used in other products is certified with Oeko-Tex. All padding used in Kinnarps' products are free from flame-retardants and azo dyes.
- **Electronics:** Electronic components are CE-labelled and comply with the EU RoHS directive. This prohibits the use of lead, mercury, cadmium and hexavalent chromium, as well as the flame-retardants PDD and PBDE, in electronic products. Conflict minerals are not allowed in the components.
- **Separability:** Separability is taken into consideration in the product development process to facilitate the recycling of material when the products can no longer be used. Different types of material are not cast together in a way that makes it hard to recycle. Products are designed with replaceable parts that are easy to change.

## CARE AND MAINTENANCE RECOMMENDATIONS

<https://www.kinnarps.com/care-recommendations/>

# COMPANY CERTIFICATIONS

- ISO 9001
- ISO 14001
- ISO 45001
- FSC® Chain of Custody

Verified date: 2024-04-29